

## MERLA-TYPE KICKOVER TOOL

The **LiMAR**<sup>®</sup> Merla-Type Kickover Tool (KOT) will install & retrieve 1" and 1-1/2" Gas Lift Valves in various Side Pocket Mandrel's (SPM).

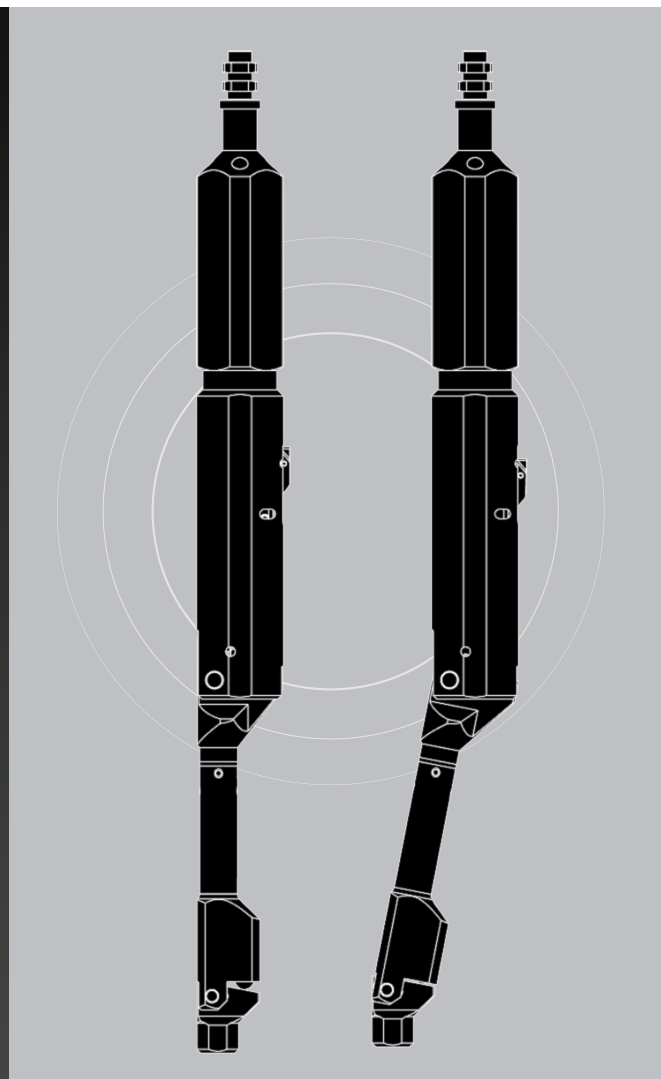
Ideally suited for moderately deviated wells and in restricted rig-up height applications, the Merla-Type Kickover Tool, maintaining key industry proven mechanisms; is easy to operate and maintain.

**TOOL APPLICATIONS:**

- Suited but not limited to moderately deviated wells, the Merla-Type Kickover Tool can be used as an alternative to the OK or OM Type Kickover Tools to service 1" & 1-1/2" Gas Lift Valves in various Side Pocket Mandrels

**DESIGN FEATURES & BENEFITS:**

- Available to suit 1" & 1-1/2" Gas Lift Valves (GLV)
- Short overall length compared to all other available Kickover Tools – ideal for restricted height applications
- Simple re-arming feature which can also be carried out in-situ with a hanging toolstring
- Optional integral Swivel option available to assist orientation at depth
- Industry proven kick arm and trigger mechanisms
- Improved bypass area to improve deployment in fluid
- Robust design with minimal moving parts
- Quick Connections supplied as standard to further reduce assembly length and prevent damage caused by installing crossovers using wrenches
- No welded components
- Fully shearable to ensure safe recovery
- Selected components QPQ treated
- Hexagonal flats for safe make-up & break-out



**TECHNICAL DATA**

Merla-Type KOT to suit 1" GLV's (HD-TMP-Type)				
Assembly Part No.	Nominal Tubing Size	To suit GLV	Fish Neck	Connection
1197	2-3/8"	1"	Optional	Optional
1197	2-7/8"	1"	Optional	Optional
1197	3-1/2"	1"	Optional	Optional
1197	4-1/2"	1"	Optional	Optional
Merla-Type KOT to suit 1-1/2" GLV's (HD-TP-Type)				
1224	2-7/8"	1-1/2"	Optional	Optional
1224	3-1/2"	1-1/2"	Optional	Optional
1224	4-1/2"	1-1/2"	Optional	Optional
1224	5-1/2"	1-1/2"	Optional	Optional